



# 品質送風機

High Efficiency  
High Quality  
Low Noise



品質機械股份有限公司  
QUALITY MACHINERY CO., LTD.



# Company Introduction

**Address: 7F, No.11, Alley 3, Lane 123, Sec. 3, Jen Ai Road, Taipei**

**Tel: (02) 2773-8599**

**Fax: (02) 2781-8611**

**Capital Amount: NT\$5,000,000.**

**Staff: 14 persons**

**Factory Address: 26-13, Sec. 3, Linyun Road, Wuku Village, Taipei County**

**Business Contact: Mr. Yu Shih-Mao**

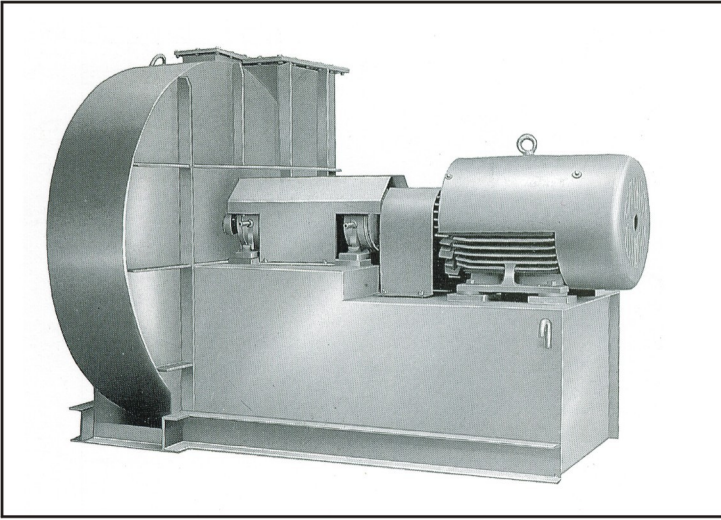
QC Machinery Co. was established in Nov. of 1985, has been specialized in manufacturing ventilator, exhaust fan, dust-collecting machine, water-wash tower, to assist factories in resolving delivery problem of manufacturing procedure and in environment pollution protection project. With enthusiastic service, sophisticated technology, faith of top high quality, a team of specialized technicians to assist your factory to reach high efficiency, low noise, no pollution stage, to make your products more salable and business more booming.

At present, the largest manufacturing capability for windmill is 500HP, wind volume from 3CMM~3000CMM and pressure from 0mmaq~6000 mmaq, any specification ordered by client will be considered. Our design staff is capable of designing ventilators and exhaust fans required by the industry in the thriftiest condition. In selecting material, our design range includes SS-400, SUS304, SUS316L, FRP, H.R.L., Hastelloy, C-276 (nickel chrome alloy) and Teflon coating which are all meeting the strict requirements of material quality by chemical factories.

With 20 years of hardworking and management, we have won good recommendation in the industry. Our main performances include ventilators and exhaust fans used in various small-and-large-scale chemical factories in Taiwan. The management idea of QC Machinery is that high quality is the best salesman.

In recent years, consciousness of environment protection is beginning. In order to help our living earth enjoying blue sky, white cloud, blue mountain and green water, our company has been aggressively supporting policy of government. Operation cost of impulse bag type dust-collecting machine is very low; we recommend the industry to choose it.

To meet opening of market after our country entering WTO and following world trend, our company has introduced ISO9000 Series Quality Warranty management system to assure our company is able to manufacture most superior ventilators and various products under ISO management system. With efforts of many years, our company has won ISO9001 quality management system certified on April 24, 2003.

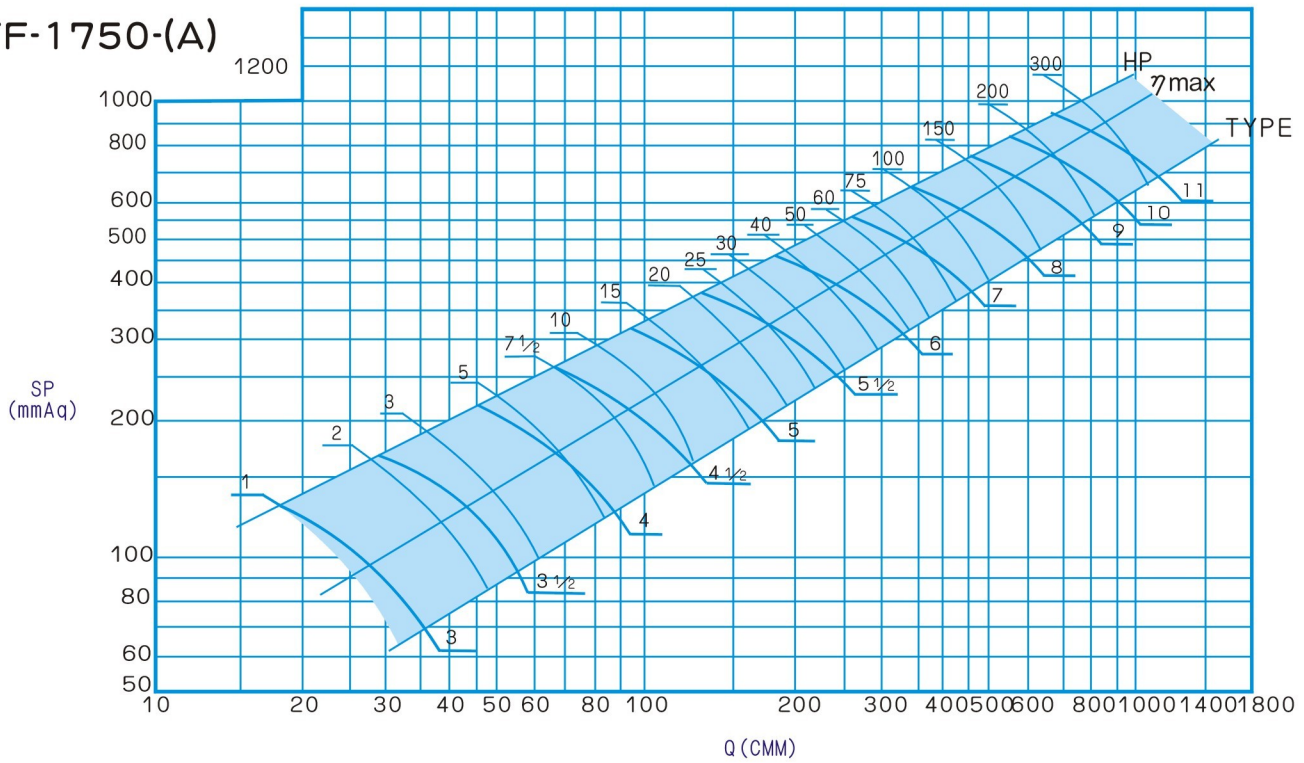


## Feature and purpose

1. This model of windmill has large wind capacity, low noise and high efficiency. Impeller is welded by copper plate, durable without deformation.
2. This model of windmill is applicable for enforcing wind delivery, air circulation and air transportation. Powder dust is not through dust-collecting purpose of impeller.
3. All impellers are through correction of West Germany made balancing machine to G2.5 degree. Vibration is very trivial.
4. Main axle adopts rigid design. Bearing is lubricated by a continuous set of water cool oil or air cool oil. It is longevity, stable and safety.
5. If specification is amended, no prior notice will be given.
6. Relevant attachment required by windmill can be designed and planned at the actual request of the client.

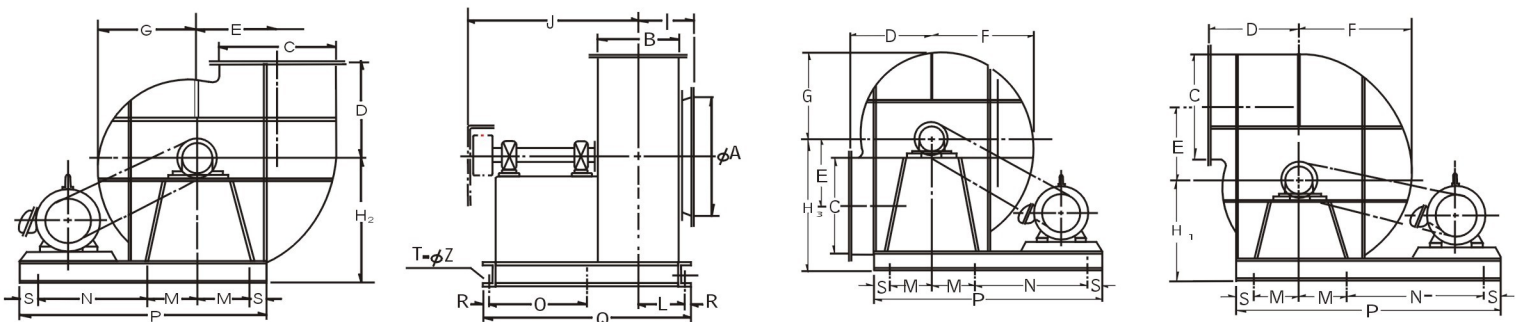
## Performance Curve

TF-1750-(A)



## TF-1750-(A) Dimensions

TYPE	HP	$\phi_A$	B	C	D	E	F	G	H <sub>1</sub>	H <sub>2</sub>	H <sub>3</sub>	I	J	L	M	N	O	P	Q	R	S	T	$\phi_Z$
# 3	$\frac{1}{2}$	250	150	250	300	275	375	332	350	400	480	125	400	98	150	375	-	700	516	20	25	8	15
# 3 1/2	$\frac{2}{3}$	300	200	300	325	300	403	360	400	450	525	150	$\frac{425}{600}$	123	175	400	$\frac{340}{-}$	750	$\frac{566}{716}$	20	25	$\frac{6}{8}$	15
# 4	$\frac{3}{5}$	350	250	350	375	350	478	428	450	500	580	175	640	148	200	470	365	900	766	20	50	8	15
# 4 1/2	$\frac{7 \frac{1}{2}}{10}$	350	250	350	425	400	505	455	500	550	625	175	$\frac{660}{750}$	$\frac{148}{158}$	250	425	$\frac{365}{426}$	950	$\frac{766}{886}$	20	50	8	15
# 5	$\frac{10}{15}$	400	300	400	500	450	595	535	575	625	725	200	800	183	275	$\frac{500}{550}$	450	$\frac{1100}{1150}$	936	20	75	8	15
# 5 1/2	$\frac{20}{25}$	500	350	500	550	500	675	620	650	725	825	225	835	208	275	$\frac{800}{850}$	475	$\frac{1400}{1450}$	986	20	75	8	15
# 6	$\frac{20}{40 \cdot 50}$	500	350	500	600	575	725	650	700	775	875	225	930	213	300	$\frac{750}{840}$	525	$\frac{1450}{1500}$	1116	30	100	8	19
# 7	$\frac{50 \cdot 60}{75}$	600	400	600	700	650	850	750	800	900	1025	250	$\frac{978}{1108}$	$\frac{238}{243}$	350	$\frac{920}{1000}$	$\frac{550}{630}$	$\frac{1750}{1750}$	$\frac{1166}{1336}$	$\frac{30}{35}$	100	8	19
# 8	$\frac{100 \cdot 125}{150}$	800	500	850	850	750	1010	890	1000	1100	1300	350	1250	301	500	760	741	2100	1512	30	100	8	25
# 9	$\frac{175 \cdot 200}{250}$	1000	600	1000	1000	900	1220	1030	1150	1360	1500	400	1480	346	650	1130	846	2800	1772	40	150	8	30
# 10	$\frac{300}{350}$	1200	700	1200	1100	1000	1380	1160	1300	1500	1750	450	1700	406	750	1250	981	3100	2062	50	150	8	35

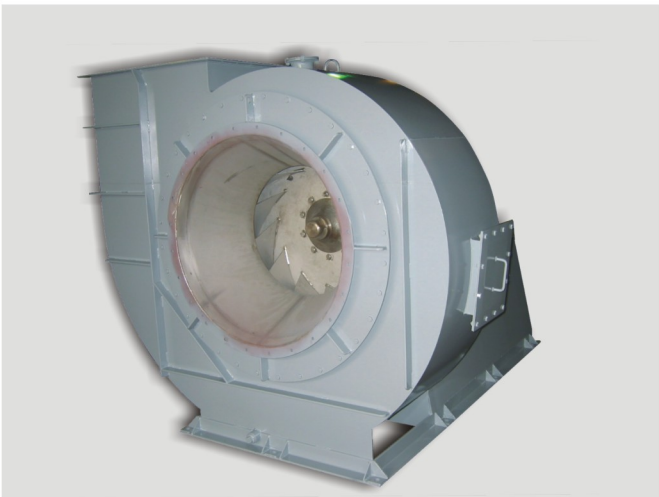




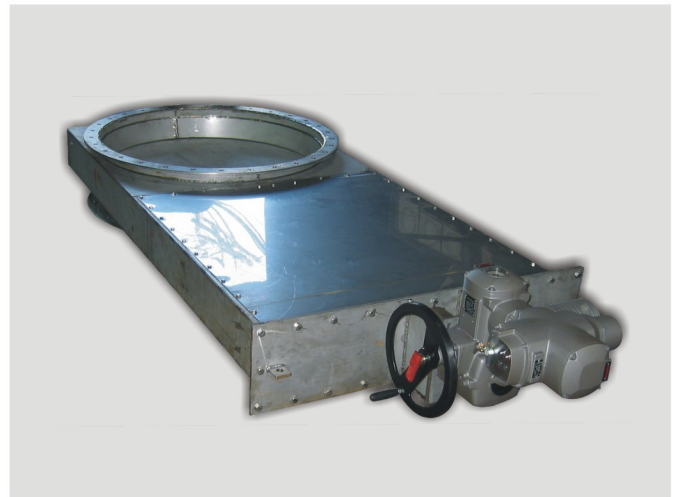
ACTUAL SITE VIEW OF 150 HP ID FAN



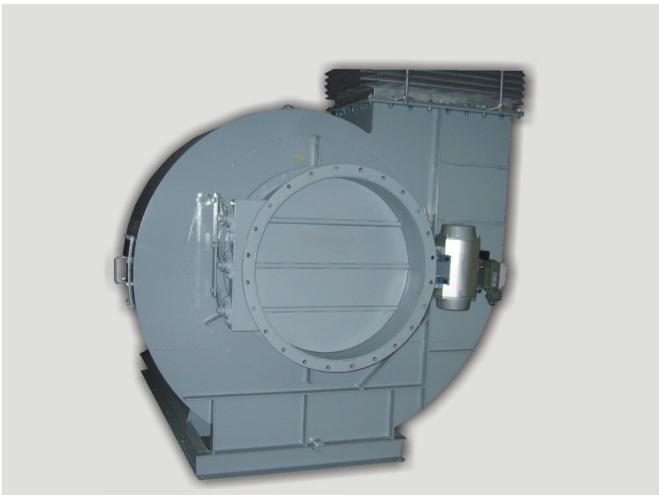
ON-FACTORY PERFORMANCE TEST OF 250 HP ID FAN



100HP TURBO BLOWER



AUMA ELECTRIC ACTUATOR GATE VALVE



150HP TURBO BLOWER



MODULATING DUTY DAMPER

Product catalog sizes of our company are just for your reference.  
Detailed specification, performance and size will be designed according to  
actual requirement of the client.