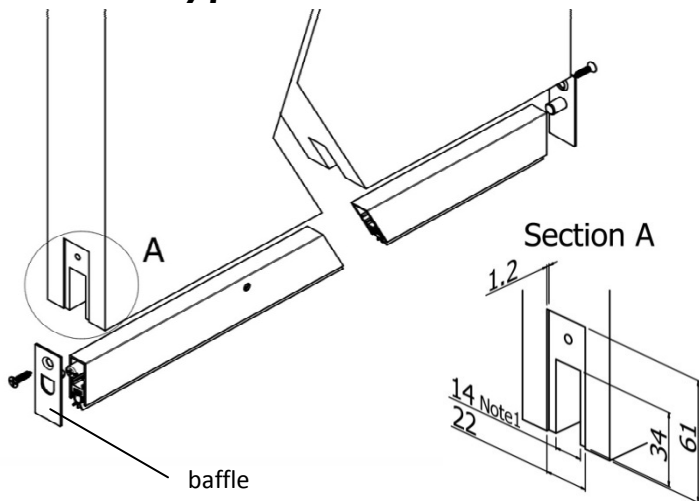


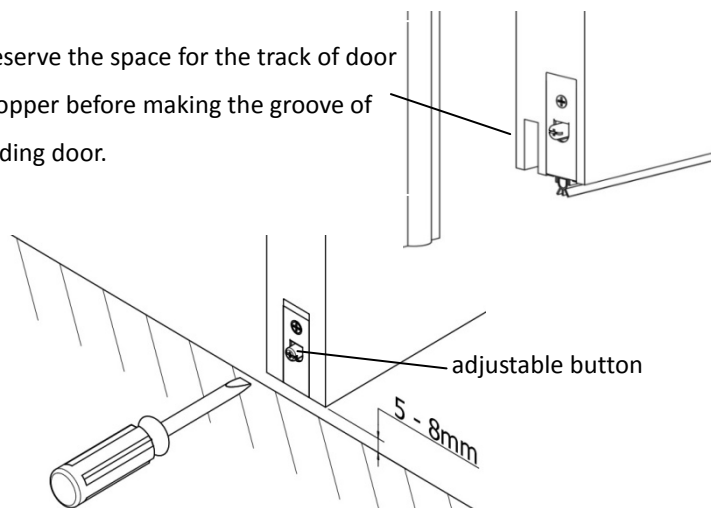
Auto Door Drop Seal (DDS) Instruction

Hidden type :



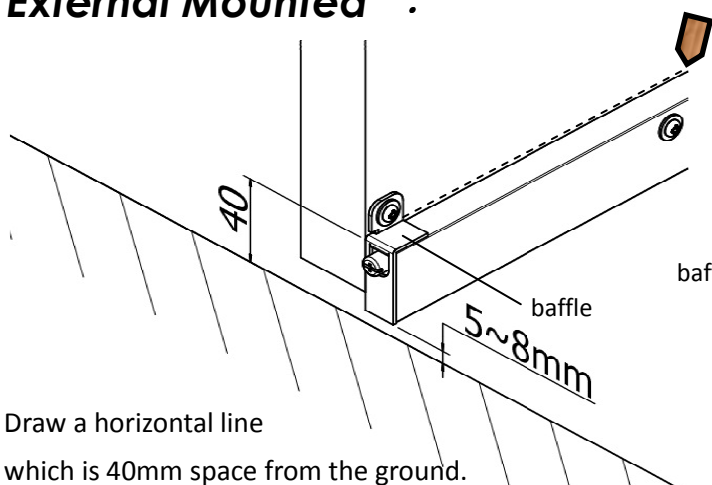
Note :
Install the adjustment on the rotatable side of door end. Make the bottom groove¹ according to "section A" and cut the DDS with suitable width² for door. Install DDS into the groove and fasten the baffles on both sides of the door.

Reserve the space for the track of door stopper before making the groove of sliding door.



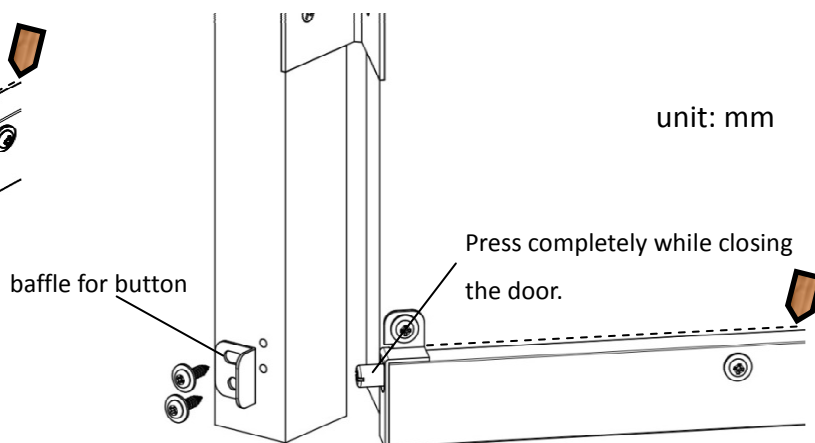
Note :
With 5-8mm space from the bottom of DDS to the ground that performs best. With screwdriver (flat head) that downward distance can be adjusted. If the gap of door is more than 15mm, please reduce the depth of groove. Please reserve the space for the track of door stopper before making the groove of sliding door.

External Mounted :



Draw a horizontal line which is 40mm space from the ground.

Note :
5-8mm would be the best space between the bottom of DDS to the ground. If the door gap is too big then 40mm space remaining between the top of DDS to the ground would be the best. (Draw a horizontal line which is 40mm space from the ground before install).



Note :
Please make sure the position on both sides of baffle and door frame as flush when installing for button. If gap exist between door and door frame, please adjust the distance for baffle and DDS to make sure the adjustable button can be pressed completely without gap while closing the door.

Note1: If fireproof DDS chose, the width of groove should be increased from 14mm to 18.5mm.

Note2: Please note the 3 points below before cutting:

- Please remove burrs completely after cutting to avoid influencing the function of DDS.
- The minimum length of type 105cm would be 75cm after cutting and type 120cm will be 90cm.
- Actual cutting length= door width – 2 baffle’s thickness. Ex: Door width in 100cm then actual cutting length shouldn’t be more than 99.7cm.--> 100cm – (1.5mm x 2) = 99.7cm