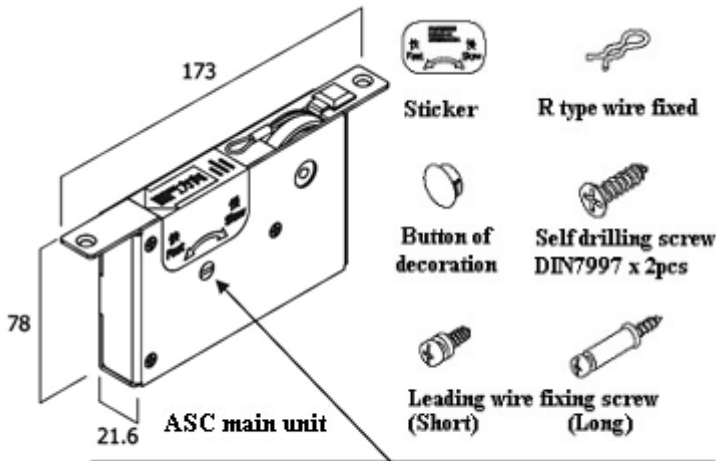


# Auto Sliding Door Closer \_ Hidden Type Installation Manual



© Attention : Before installation, do not adjust speed in case breakdown.

## Attention before install :

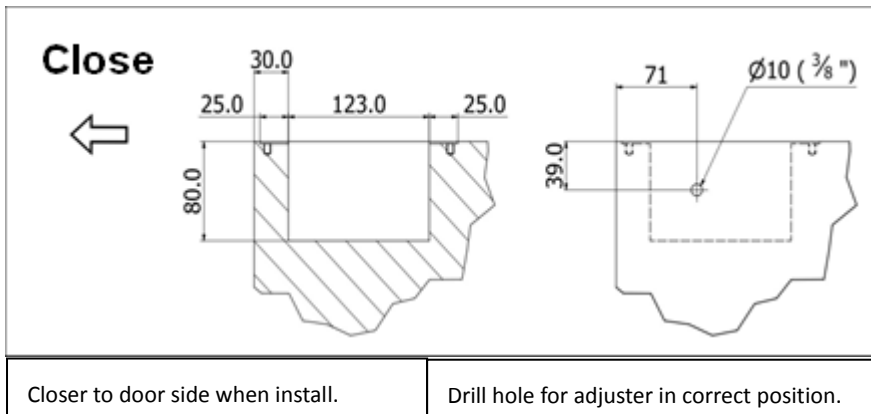
1. Available for door weight between 10-50kgs.
2. Thickness of door must over than 28mm.
3. For using on slide door with wheel.
4. Wheel choice: Do not use the wheel with "L" base set that can only be fixed on both sides.
5. Standard width of opening maximum with 120mm.
6. The wire must be straight from main unit with orbit and door plank.
7. Be able to install whether right or left in door plank.

## Step 1

Process a suitable fillister on door plank for installing ASC.

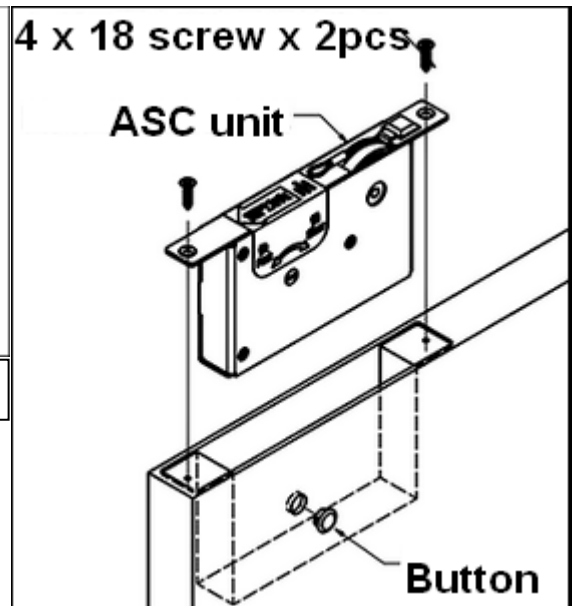
## Step 2

Install the ASC and screw accordingly.



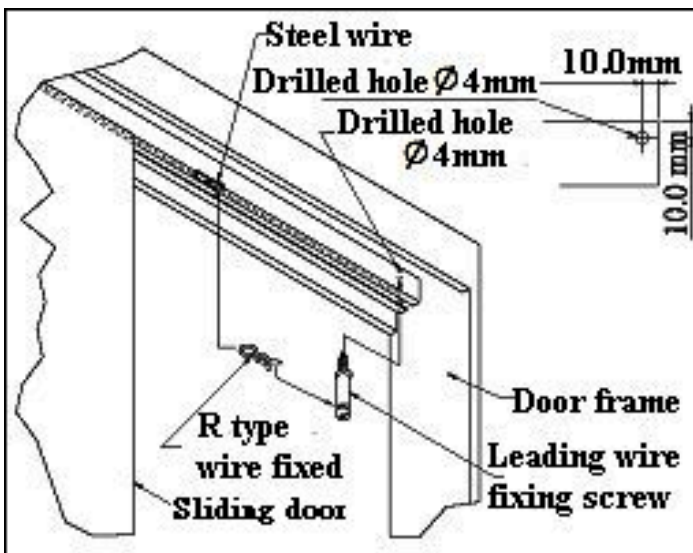
Closer to door side when install.

Drill hole for adjuster in correct position.



## Step 3

Install the leading wire fixing screw on the top on



## Be notice on the position of ASC installation

